

# SPECIFICATION

## ZED 23 JH NISSAN 3.5 t

### TECHNICAL DATA

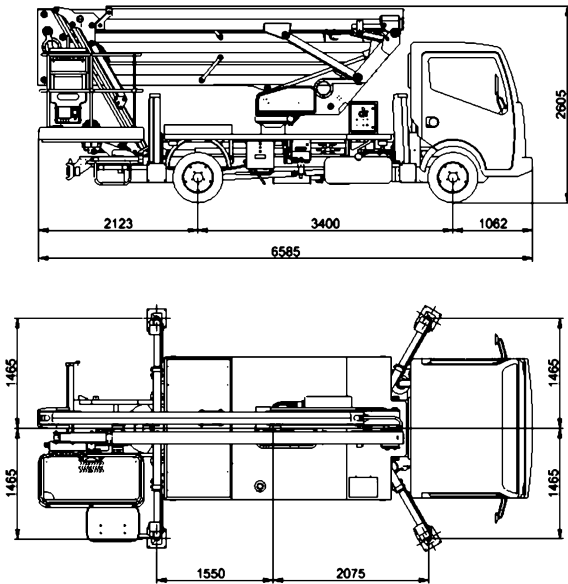
- Double pantograph + telescopic boom with single extension+jib
- Sigma boom movement enabled by connecting rods
- 360° continuous turret rotation on bearing turntable
- Proportional electrohydraulic controls from basket and ground
- Engine start and stop controls from basket and ground
- Anti-slip, aluminium flatbed decking with tool tray walls
- Basket base in composite material with aluminium guardrails
- 90° right + 90° left hydraulic basket rotation
- Automatic hydraulically actioned basket levelling
- N° 4 hydraulic outriggers with ground pressure sensors and connecting rods
- Hydraulic system operated by vehicles' PTO
- Basket load sensing device
- Buzzer indicating PTO engaged
- Hour meter
- 230 V AC EC electrical socket in the basket
- Standard painting: blue colour (RAL 5017) or white (RAL 9003)
- CE certified

### PERFORMANCE

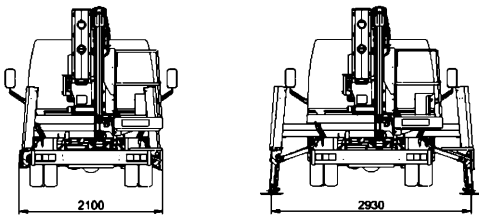
Working height	22,7 m
Platform height	20,7 m
Working outreach	10 m
Capacity (2 person included)	250 kg
Basket dim.	1400x700x1100 mm
GVW minimum	3,5 t



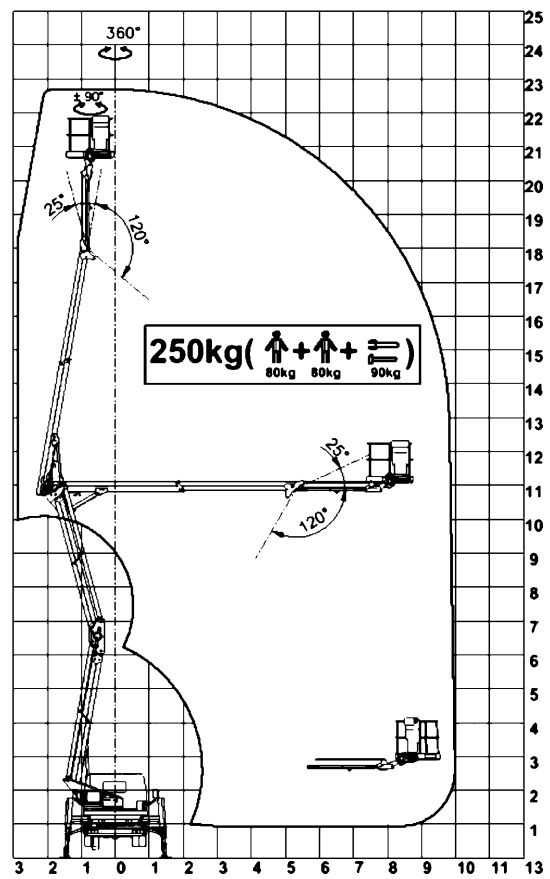
## DIMENSIONS



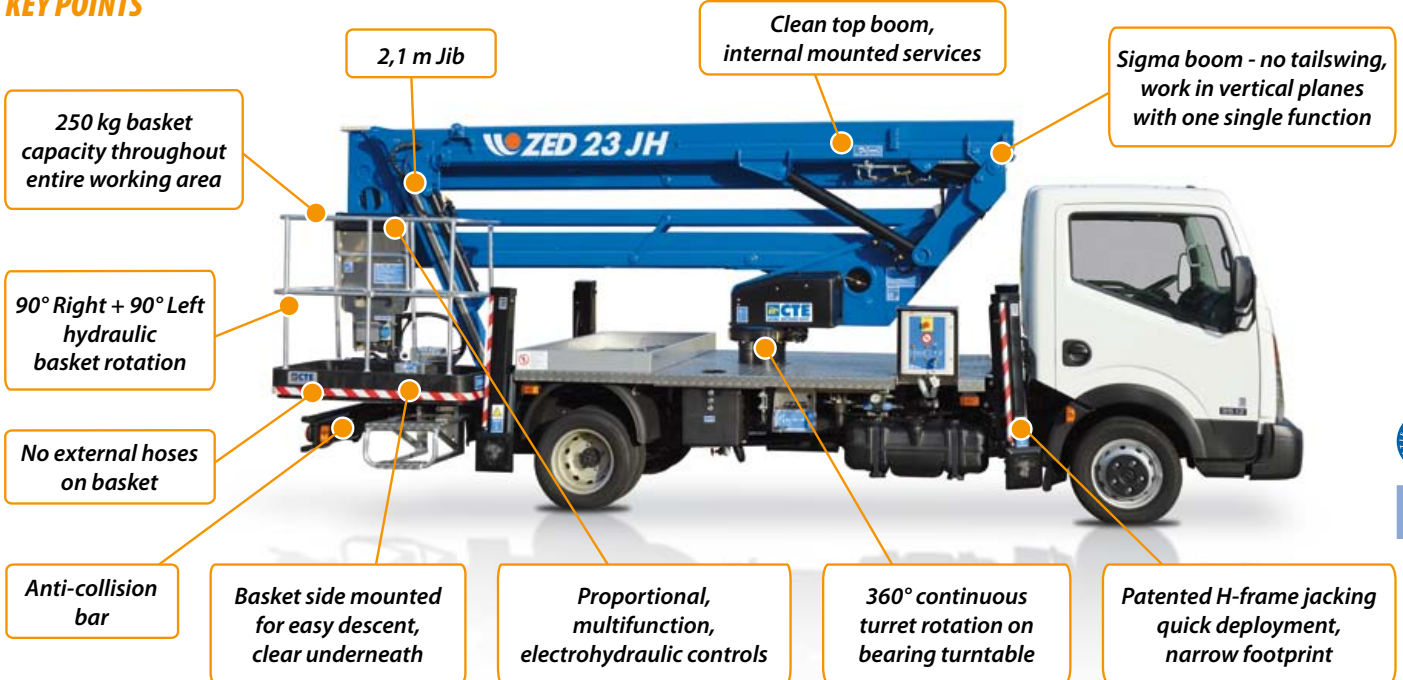
## OUTRIGGER FOOTPRINT



## WORKING ENVELOPE



## KEY POINTS



## CTE S.p.A.

Headquarter and Factory - Rovereto (Tn): via Caproni, 7  
 Factory - Bertinoro (Fc): viale 2 Agosto, 670  
 Factory - Rivoli V.se (Vr): loc. Terramatta, 1

ph. +39 0464.48.50.50 - fax +39 0464.48.50.99  
 e-mail: [info@ctelift.com](mailto:info@ctelift.com)

CTE UK Ltd - Enderby Leicestershire - UK  
 CTE FRANCE Sas - Achères - Saint Clair du Rhone - France



[www.ctelift.com](http://www.ctelift.com)